

# Car Wash Signage Digital Sign, 55"

PART NUMBER: DS-55



## Features and Benefits

### Description

Sleek stainless steel digital signage upgrades your car wash curb appeal instantly. Built for durability and flexibility, digital signs are a must for car washes who want to remain agile and fresh with messaging. Rest assured that your digital messages will be seen vibrantly anytime that you want.

### About Spotless

We create innovative products that serve a specific purpose and that are built to last for the car wash industry. As car wash technology evolves, we have found that quality, interoperability and servicability of products has continued to deteriorate. Spotless brings the fresh perspective of an active car wash operator who is developing and designing products that are of the highest quality, easy to service and made of the most durable materials.

- Easy to manage and update digital sign collateral\*
- Stainless steel construction built for durability with polished stainless steel welds
- Can withstand extreme temperatures from -30 degrees to 50 degrees C
- Connect and manage display via USB jump drive or network for remote configuration capability
- Easy set up with quick connect of power and data lines or USB stick
- Built in timer to program sign based upon your business and holiday hours
- 5 yr Samsung White Glove warranty for monitor; 1 yr parts warranty for enclosure



learn more at [www.spotlesswashesolutions.com](http://www.spotlesswashesolutions.com)

## Specifications\*

**Weight:** approx 200 lbs (91 kg);

**Construction:** Stainless steel;

**Dimensions:** Frame 25"W x 72" H x 7"D;

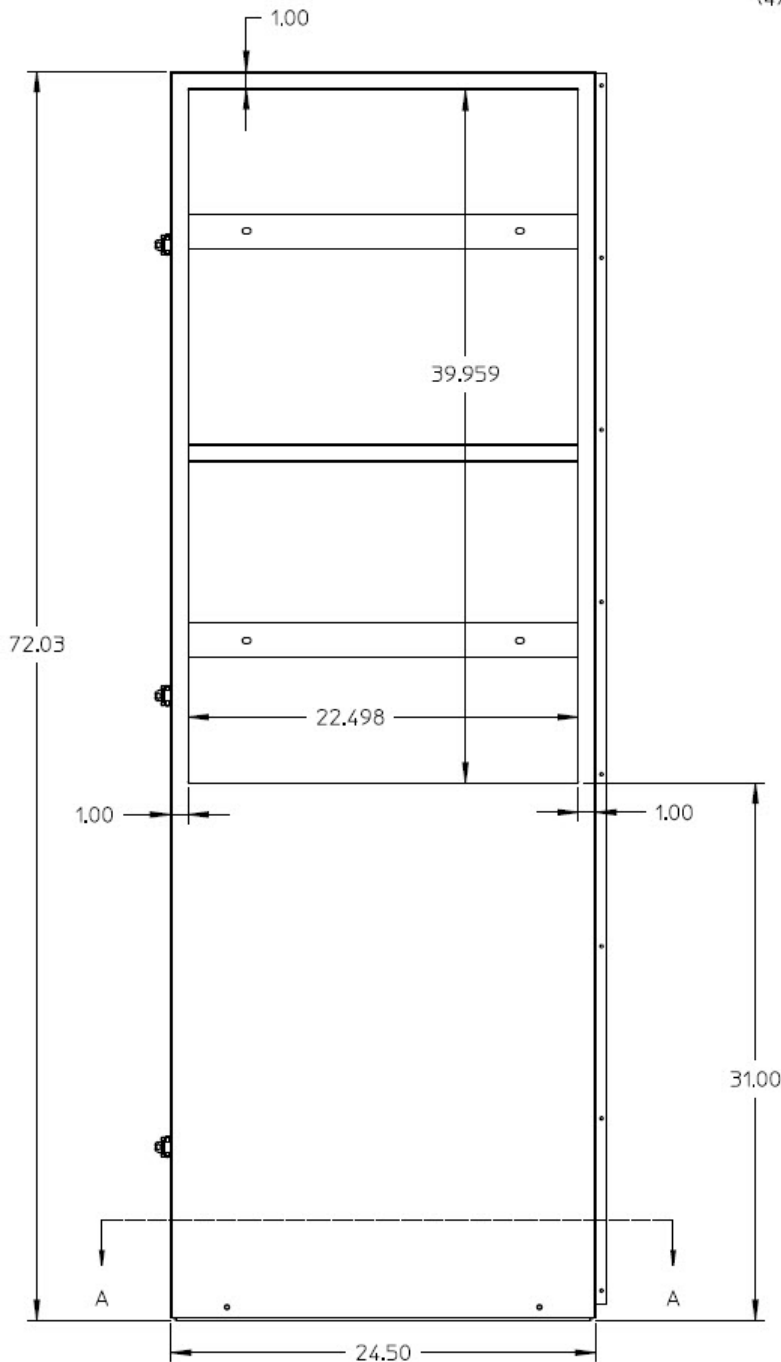
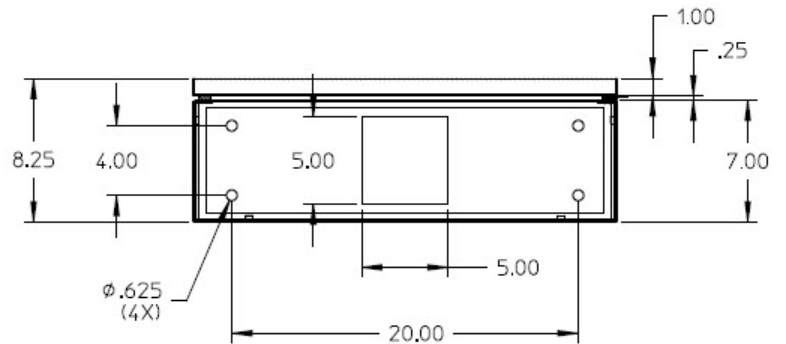
Screen size 55" diagonal – 47.6"W x 26.8"H;

**Electrical Input:** 100-240 VAC 6 AMP;

**Temperature:** Operating: -30°C to 50°C

**Digital Media:** Includes 3 hours support for digital media content development; additional support available at prevailing hourly rates;

\*Specifications subject to change without notice.



Easy latch enclosures

